

## ABLOY® CY039

### Cylinder with thumbturn for solid doors



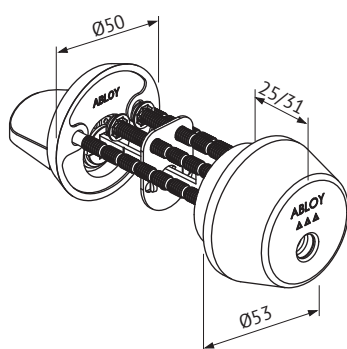
#### Product description

High durability cylinder rings against pulling, twisting and sawing.

Lock is operated by key from outside and by thumbturn inside the door.

#### Overview of Advantages

- Can be used with wide range of Scandinavian and Finnish type high security mortice lock cases for standard doors
- Strong burglary protection
- Suitable for both outer and inner door use
- Adjustable during installation to match different door thicknesses



#### Technical data

Available key systems	ABLOY PROTEC, ABLOY PROTEC <sup>2</sup> , ABLOY NOVEL
Available plating options	Bright chrome (Cr), Satin chrome (HCr), Brushed nickel (NiHa),
Cylinder ring diameter	52mm
Cylinder ring height	Standard 25mm, for thin doors 31mm
Weight	0,44kg
Possible door thicknesses:	42...113mm

This content is protected by Intellectual Property Rights Laws. The title to the content shall not pass to you, and instead shall remain with Abloy Oy or a third party holding the title. Abloy develops continuously the products and solutions offered. Therefore, the information contained in the document is subject to change without notice. ABLOY PROVIDES THIS CONTENT ON AN "AS IS" BASIS WITHOUT ANY WARRANTIES OF ANY KIND, EXPRESS, IMPLIED, OR STATUTORY."