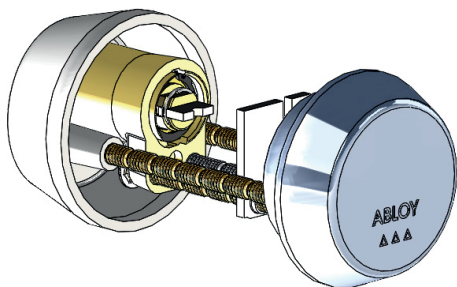


ABLOY® CY161

Door lock cylinder for Finnish type security lock LC109



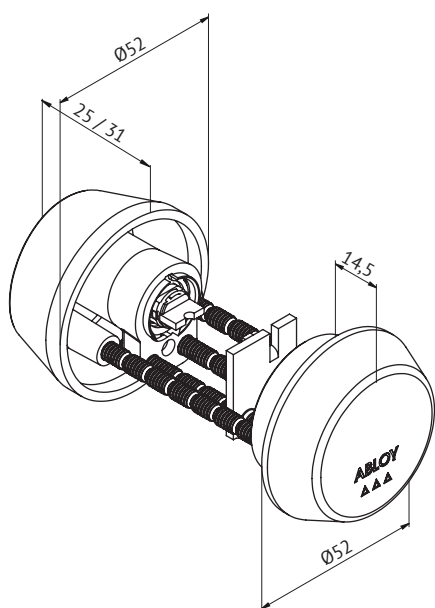
Product description

Single inside exterior cylinder to be used with high security mortice lock cases for standard doors, both mechanical and electric lock cases.

Lock is operated by key from inside.

Overview of Advantages

- Can be used with wide range of Finnish type high security mortice lock cases for standard doors
- Strong burglary protection
- Suitable for both outer and inner door use
- Adjustable during installation to match different door thicknesses
- Several plating options, also antimicrobial paints



Technical data

| | |
|----------------------------|---|
| Available key systems | ABLOY PROTEC ² , ABLOY NOVEL |
| Available plating options | Bright chrome (Cr), Satin chrome (HCr) |
| Cylinder ring diameter | 52mm |
| Cylinder ring height | Standard 25mm, for thin doors 31mm |
| Blind plate diameter | 52mm |
| Suitable for fire doors | Yes |
| Attack resistance | Key related security 6, attack resistance D |
| Weight | 0.7kg |
| Possible door thicknesses: | 42..113mm |

This content is protected by Intellectual Property Rights Laws. The title to the content shall not pass to you, and instead shall remain with Abloy Oy or a third party holding the title. Abloy develops continuously the products and solutions offered. Therefore, the information contained in the document is subject to change without notice. ABLOY PROVIDES THIS CONTENT ON AN "AS IS" BASIS WITHOUT ANY WARRANTIES OF ANY KIND, EXPRESS, IMPLIED, OR STATUTORY."