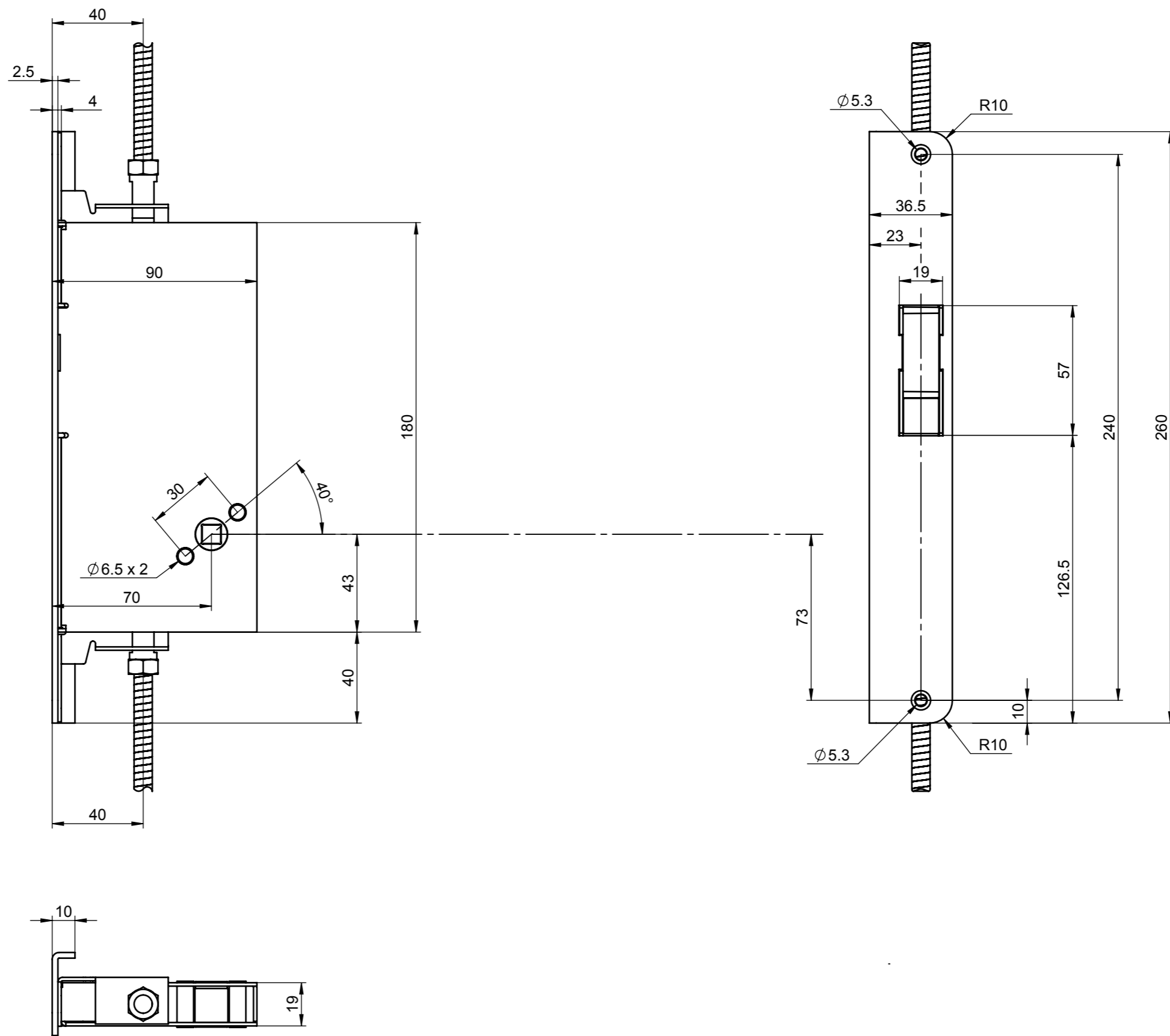

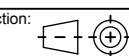


This document is our property and shall not without our permission be altered, copied, used for manufacturing or communicated to any other person or company.



Surface: 456466		Material:			General tolerance: ISO 2768-mH	
Volume:	Weight:	Surface area:	created: 15.01.2015 JK	designed by:	changed by:	Scale: 1:2 (A3)
 ABLOY Abloy Oy An ASSA ABLOY Group brand			ABLOY LE953-PE953-814105			Projection: 
			Alternate ID			

Part/assy:

Configuration:Default

SHEET 1 OF 1